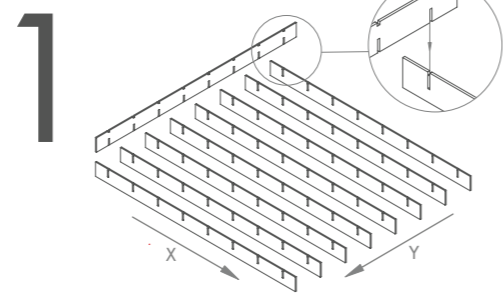
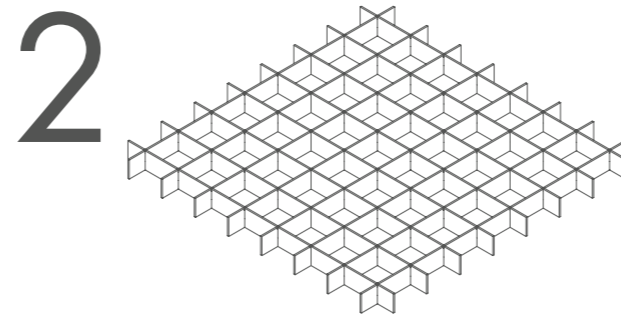


Before work commences, please ensure you take the time to plan out your Quietspace Frontier. Install, plan out your fixing points (800mm centres) and the spacings of the Frontier Connector clips before fixing the Frontier Connectors clip to the ceiling or ceiling channel.

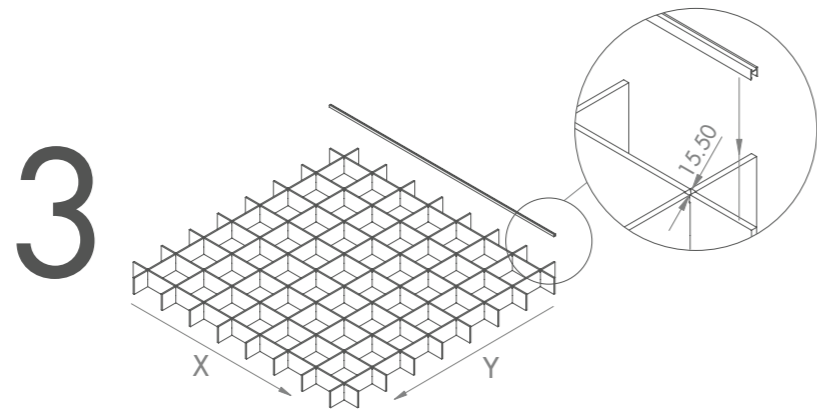
DIRECT FIX METHOD



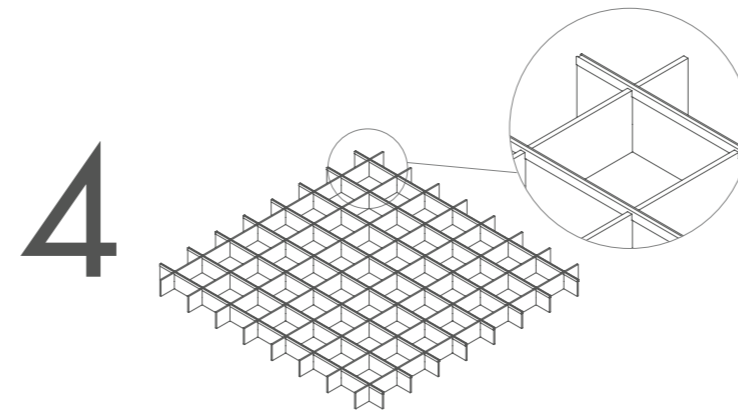
1 Assemble the Axis module by placing on a clean surface and clipping the parts together as shown above.



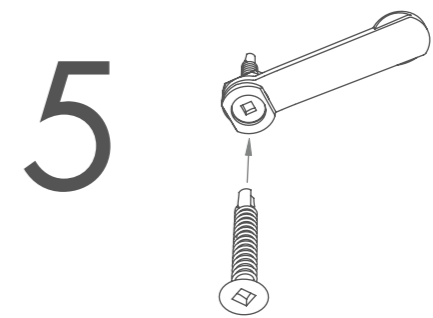
2 Repeat Step 1 until parts form an 8 x 8 grid.



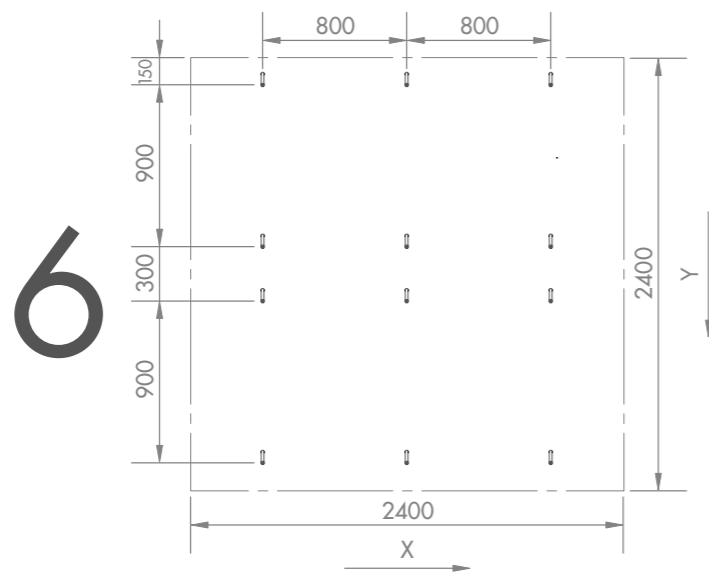
3 Once grid is assembled, press the Frontier Channel into place along the top edge in direction 'X', ensuring the Channel is flush with the edge. Use a rubber-faced hammer to ensure the channel is fully inserted.



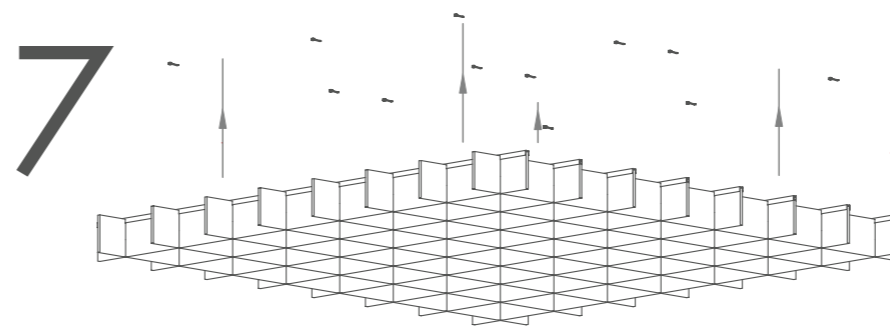
4 Repeat Step 3 for the remaining seven lengths of Frontier Channel. The Axis module is now complete.



5 Push screw into Frontier Connector. Screw head diameter of 8mm required.

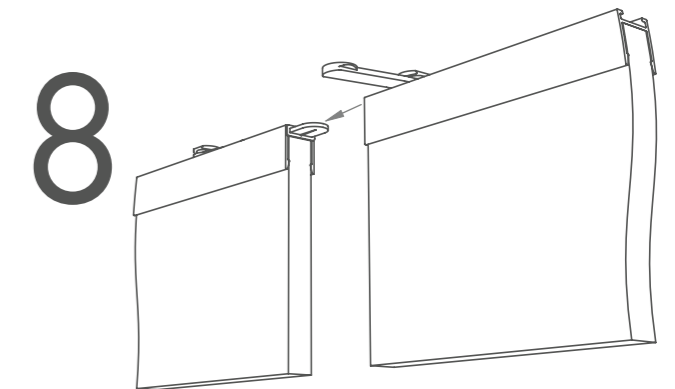


6 Mark out and screw fixings into ceiling substrate, until connector is firm but turns freely on the screw. Repeat as necessary in X and Y directions. Caution must be taken to ensure accurate measurements.



7 Raise the Axis module to the pre-fixed Connectors, using a panel lift or similar. Ensuring the Connector handles are pointing perpendicular to the Channel, snap the corner Connectors into the Channel, then turn 90degrees to lock.

The panel lift can now be lowered and the remaining Connectors can be secured.



8 When adding additional Frontier Axis sets, continue the 800mm centres in the X direction and a 300, 900, 300, 900mm centres pattern in the Y direction.

Use Frontier Joiners to connect additional Frontier Fins at the Channels.