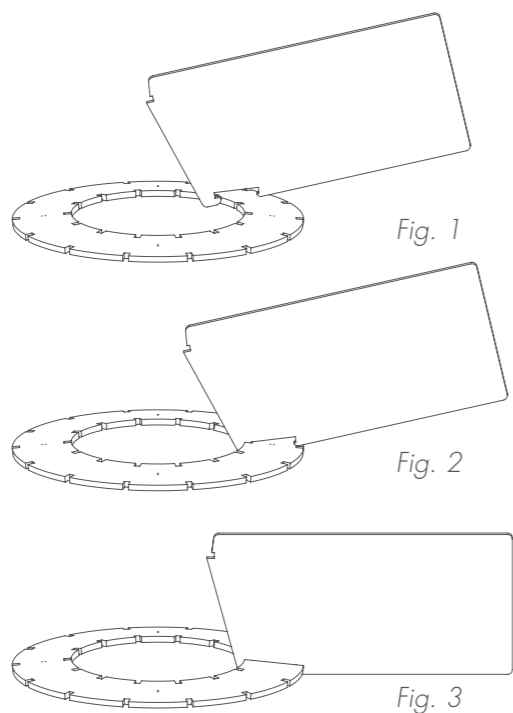


PACK CONTENTS

- 2 x Lattice baffles
- 8 x 1m galvanised cables
- 8 x ceiling mounts
- 8 x "Velda" cable clips

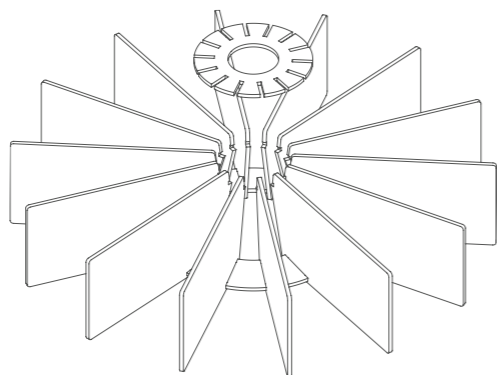
CONSTRUCTING THE LATTICE

1



Start clipping the fins into the top ring as shown in Fig. 1, 2 and 3 until complete.

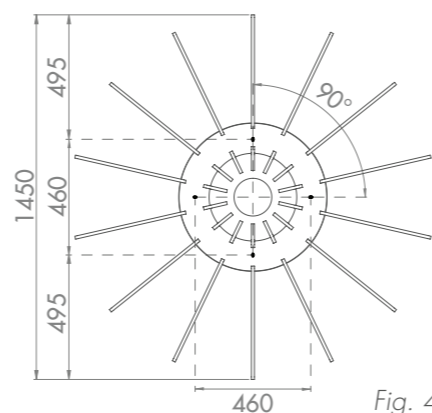
2



Once all fins are clipped to the top ring, gently and evenly press the bottom ring into position. Ensure all joints are snug and carefully roll over so the larger ring is on the top. Check again for any loose connections, make sure the hooks on the fins have clipped over the top ring.

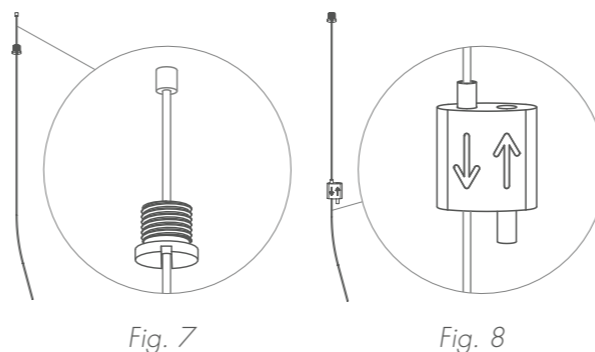
HANGING THE LATTICE

1



Determine where you want the Lattice to hang (Fig. 4). Mark the ceiling fixing points as per dotted lines.

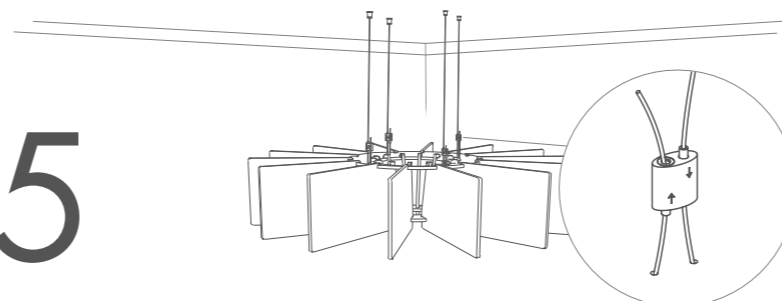
3



Thread the ceiling mount caps (Fig. 6) onto the cables (Fig. 7).

Thread the "Velda" cable clips onto cables (Fig. 8).

5



Lift the Lattice up to meet the cables and loop the wires through the plugs followed by the "Velda" cable clips.

When the Lattice is hung, use the toggles to make minor adjustments to set correct, level height*. Once set, trim excess wire, leaving 30mm for seismic compliance.

2

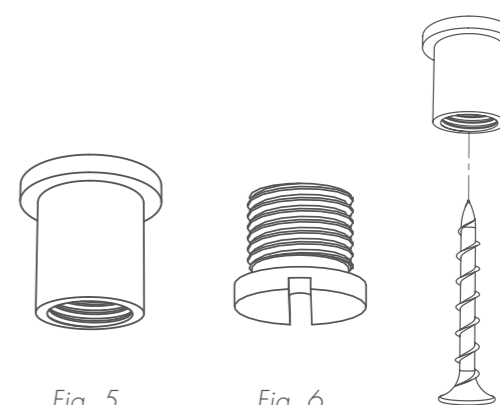


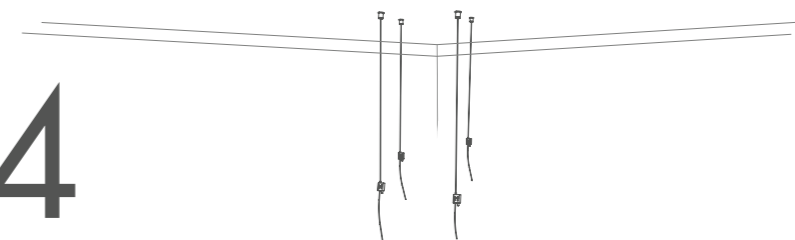
Fig. 5

Fig. 6

Separate the ceiling mounts into their individual parts - ceiling mounts (Fig. 5) and ceiling mount caps (Fig. 6).

Screw ceiling mounts (Fig. 5) to the ceiling substrate at the marked centres (Step 1) with a fixing appropriate for the substrate.

4



Screw assembled cables into the fixed ceiling mounts.

*SPEAK TO YOUR AUTEX ACCOUNT MANAGER FOR MORE INFORMATION ON SETTING THE BEST SUSPENSION HEIGHT FOR YOUR APPLICATION.

Quiespace[®]
LATTICE
torus