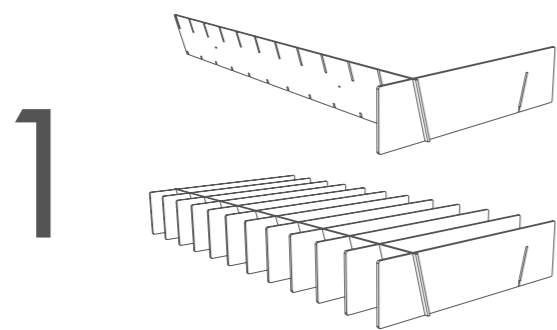


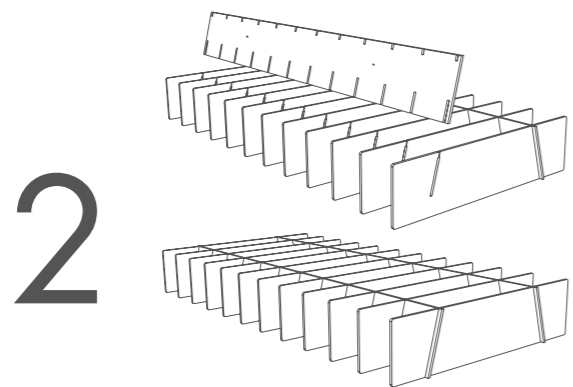
PACK CONTENTS

- 1 x Quietspace® Lattice
- 4 x 1m galvanised cables
- 4 x ceiling mounts
- 4 x "Velda" cable clips
- 8 x alloy tube inserts

CONSTRUCTING THE LATTICE

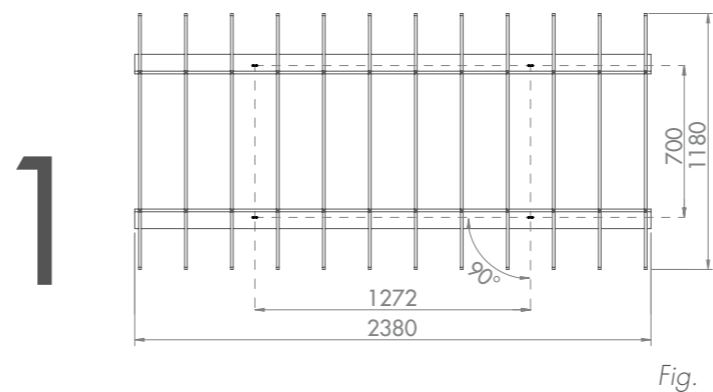


1 Lay one rail on its edge with the long slots facing up and methodically slot the fins into each slot on the rail at 90 degrees. Make sure the tabs on the fins click into the groove on the bottom of the rail.

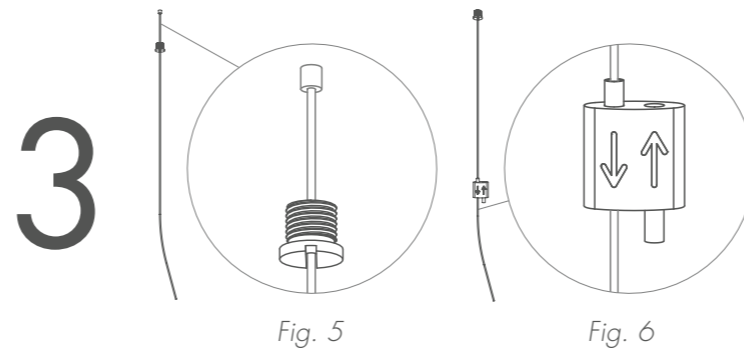
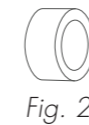


2 Once all the fins are inserted into the rail, flip the Lattice over 180°. Slide the remaining rail into the slots on the fins; again ensuring the tabs on the fins click into the groove on the rail.

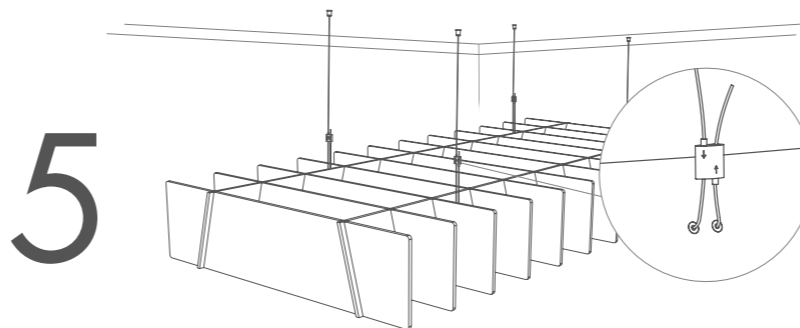
HANGING THE LATTICE



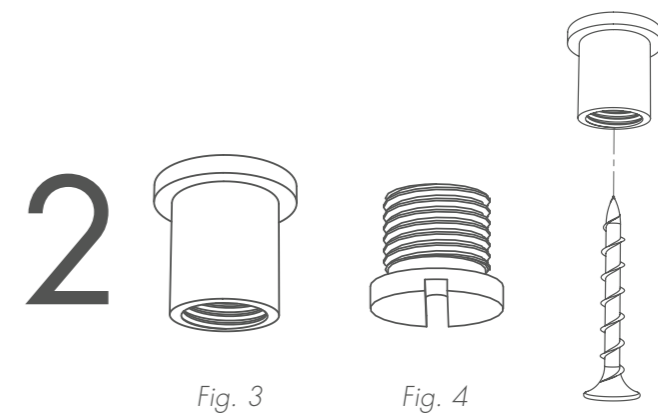
1 Determine where you want the Lattice to hang (Fig. 1). Mark the ceiling mount points as per the above diagram. Remove the round plugs in the pre-cut holes of each Lattice rail and replace with the supplied alloy tube inserts (Fig. 2).



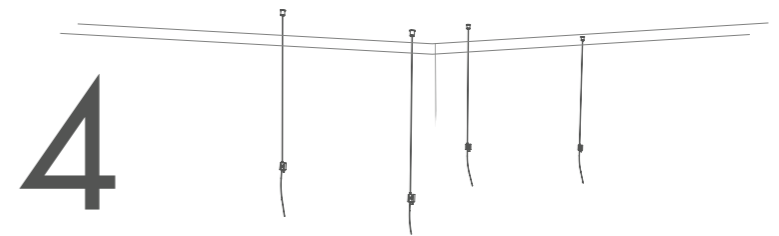
3 Thread the ceiling mount caps (Fig. 4) onto the cables (Fig. 5). Thread the "Velda" cable clips onto cables (Fig. 6).



5 Lift the Lattice up to meet the cables and loop the wires through the plugs followed by the "Velda" cable clips. When Lattice is hung, use the toggles to make minor adjustments to set correct, level height*. Once set, trim excess wire, leaving 30mm for seismic compliance.



2 Separate the ceiling mounts into their individual parts - ceiling mounts (Fig. 3) and ceiling mount caps (Fig. 4). Screw ceiling mounts (Fig. 3) to the ceiling substrate at the marked centres (Step 1) with a fixing appropriate for the substrate.



4 Screw assembled cables into the fixed ceiling mounts.

*SPEAK TO YOUR AUTEX ACCOUNT MANAGER FOR MORE INFORMATION ON SETTING THE BEST SUSPENSION HEIGHT FOR YOUR APPLICATION.

Quietspace®
LATTICE
trapezium